

# SupplyCabinet

## CABINET-LEVEL CONTROL FOR LARGE OR BULKY ITEMS

Introducing SupplyCabinet™, the foundation of SupplyPro's exciting new Smart Cabinet product line. Engineered for maximum flexibility and low cost-per-SKU, this secure, electronically accessed cabinet can be configured with up to 8 adjustable shelves, allowing you to store, control and manage a wide range of durable and consumable items, including larger items that might not fit in standard vending systems. SupplyCabinet can function as a standalone unit, or seamlessly integrate with other Smart Cabinets, such as SupplyBin™ for bin storage or SmartBin™ for weight-based operation. Achieve unparalleled flexibility with SupplyCabinet — the low-cost inventory management solution.

### SUPPLYCABINET DELIVERS

- **Secure Access & Accountability:** Ensure the security of your inventory through controlled access, maintaining accountability for every item.
- **Outstanding Value:** Maximize your investment with a low cost-per-SKU inventory management system, providing exceptional value.
- **Efficiency & Productivity:** Streamline inventory processes to enhance overall efficiency and productivity. Enable item-level shopping of multiple products in one transaction.
- **Scalability:** Effortlessly expand your inventory management capabilities by integrating additional cabinets.
- **Real-time Visibility:** Immediately gain insights into your inventory with real-time tracking and reporting features.
- **Customizable Configuration:** Tailor the cabinet to meet your specific needs by adjusting shelf layouts or incorporating additional cabinet types.

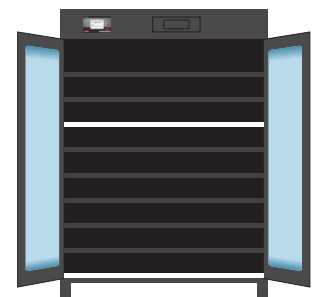
### FEATURES

- Shelves can easily be configured to accommodate all sizes of product or changes in product mix.
- Comes standard with an RFID badge reader to identify employee access to cabinet. Optional fixed barcode, magstripe and Wiegand readers are available.
- Tethered handheld barcode scanner for item-level shopping of products.
- Powered by SupplyPro's new Device Driver™ 1 firmware.
- Available as a Main device with industrial touchscreen monitor and badge reader or as an Auxiliary device to other Smart Cabinet devices.
- Optimal product availability insight, utilizing SupplyPro's user-friendly cloud-based software and standard or customized reports and dashboards.



#### 5-SHELF SUPPLYCABINET

Standard 2-shelf (inclusive of bottom cabinet shelf) configuration with 3 additional shelves. Above configuration is an example only.



#### 2-SHELF SUPPLYCABINET

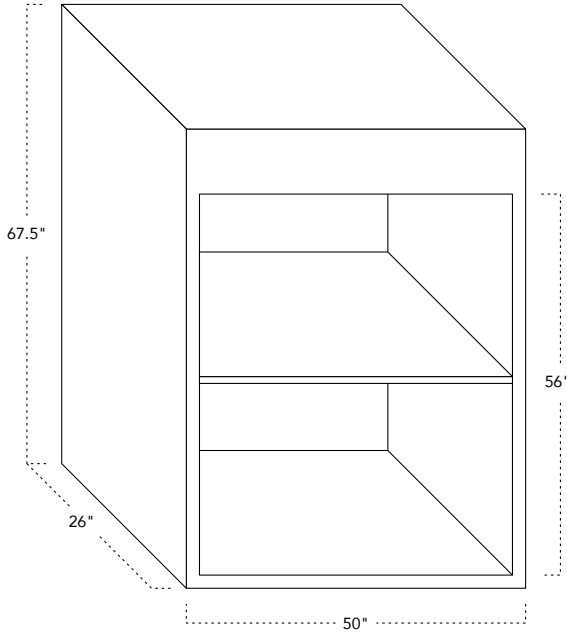
For shipping stability, SupplyCabinet comes standard with 2 shelves (inclusive of bottom cabinet shelf). Up to 7 additional shelves can be added. Above configuration is an example only.

### APPLICATION

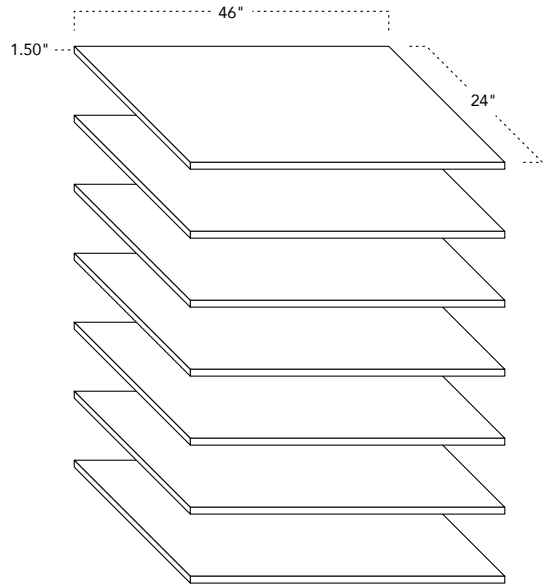
Electronic components  
Welding supplies • Office supplies  
Manufacturing components  
High-security items • Storage tanks  
Irregularly shaped items  
Inventory with unique control characteristics  
Non-vendable or unconventional items  
Durables • Consumables

## DIMENSIONS

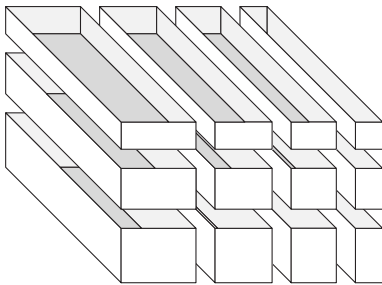
SupplyCabinet comes standard with 2 shelves (inclusive of bottom of cabinet shelf).



Optional additional shelves are available, up to 9 shelves total per cabinet (inclusive of bottom of cabinet shelf).



Optional bins sold in packaged quantities are available. Each bin comes standard with 4 dividers.



Available bin packages

QTY	SIZE (H x W)		
11	4" x 4"	6" x 4"	8" x 4"
6	4" x 6"	6" x 6"	8" x 6"
5	4" x 8"	6" x 8"	8" x 8"
4	4" x 11"	6" x 11"	8" x 11"

All lengths are 24"



RFID badge reader is standard. Optional fixed barcode, magstripe and Wiegand readers are available.



Standard SupplyCabinet includes wired, 1D laser handheld scanner with 63" cable.

